



Industrie Service

EU TYPE-EXAMINATION CERTIFICATE

According to Annex IV, Part A of 2014/33/EU Directive

Certificate No.: EU-OG 182

Certification Body of the Notified Body: TÜV SÜD Industrie Service GmbH
Westendstr. 199
80686 Munich – Germany
Identification No. 0036

Certificate Holder: P.F.B. s.r.l.
Via Raimondo Dalla Costa, 690
41122 Modena – Italy

Manufacturer of the Test Sample: P.F.B. s.r.l.
Via Raimondo Dalla Costa, 690
41122 Modena – Italy
(Manufacturer of Serial Production – see Enclosure)

Product: Overspeed governor, detecting and tripping element fixed at the overspeed governor, as a part of the protection device against overspeed for the car moving in upwards direction and tripping element against unintended car movement

Type: LK 200 and LK 200/S

Directive: 2014/33/EU

Reference Standards: EN 81-20:2014
EN 81-50:2014
EN 81-1:1998+A3:2009
EN 81-2:1998+A3:2009

Test Report: EU-OG 182 of 2016-04-07

Outcome: The safety component conforms to the essential health and safety requirements of the mentioned Directive as long as the requirements of the annex of this certificate are kept.

Date of Issue: 2016-04-07

Date of Validity: from 2016-04-20

Achim Janocha
Certification Body "lifts and cranes"



1 Scope of application

1.1 Generally

1.1.1 Driving rope

Category Round strand rope made of steel wire
Diameter 6 – 6.5 mm

1.1.2 Tension forces (force produced by the tensioning weight, acting on the axis of rope deviating pulley)

Tension force determined in the test [N] (New rope and groove)	Tensile force in	
	Down direction [N]	Up direction [N]
583	736	—
1020	1619	451

Retraction of the safety gear in both directions of rotation permissible.

The safety component can fulfil three security features (1.2, 1.3 and 1.4).

1.2 Using as an overspeed governor – permissible speeds

Permissible tripping speed 0.32 – 1.70 m/s
Permissible rated speed ≤ 1.48 m/s

1.3 Using as a part of the protection device against overspeed for the car moving in upwards direction

The overspeed governor can be used as a part of the protection device against overspeed for the car moving in upwards direction. Monitoring of upward speed will be done by overspeed governor itself and a braking device can be triggered (engaged) via the overspeed governor's electric safety device or mechanically.

1.4 Using as a part of the protection device against unintended car movement by an installed anti-creep protection

Using **with / without** detection system (activation by detection system till a permissible tripping speed according 1.2 or at each stopping)

Maximum possible response distance** 200 mm
Maximum response time* of retaining solenoid and power supply unit 11 ms
Execution power supply unit Type NPS_50V

*Response time: Defined as the difference in time between current drop of the power supply for the solenoid retaining the blocking device and achieving the end position for the activation of the safety gear.

**Response distance: Defined as the max. distance that can be covered by the lift moving away from the landing position after the blocking device has engaged and as caused by delay and/or other distance losses at the overspeed governor until the tensile force has built up.

2 Terms and Conditions

2.1 Above mentioned safety component represents only a part at the protection device against overspeed for the car moving in upwards direction and unintended car movement. Only in combination with a braking respectively detecting component in accordance with the standard, which must be subjected to an own type-examination, can the system created fulfil the requirements for a protection device.

2.2 The adjusted tripping speed and the safety switch must be sealed against unauthorized adjustment (safety switch e.g. by colour sealing of the fastening bolts).

Annex to the EC Type-Examination Certificate
No. EU-OG 182 of 2016-04-07



Industrie Service

- 2.3 Positioning of the overspeed governor vertical with rocker above pulley. Rope deflection optional (but at least 180° angle of wrap).
- 2.4 The triggering of the safety device according 1.4 takes place by interruption of the energy supply to the magnetic coin of anti creep protection. This is not caused positive mechanically but electrically resp. electromagnetically by interruption of the energy supply to the magnetic coin of anti creep protection. However, the mechanically engagement of the device has to be absolutely guaranteed after the electrical safety device has responded. In light of the above, the device must be made to engage at regular intervals (e.g. once a day or automatically at each landing) so that the anchor plate can be checked for correct closing (e.g. micro switches resp. proximity switch). If the anchor plate do not perform correctly (anchor fail to close) the lift must be kept at standstill.
- 2.5 If activation of anti-creep according 1.4 will take place by every operational stop of the lift, this activation shall be initiated with car stands still.
- 2.6 The installer of the complete lift must create an examination instruction to fulfil the overall concept of the protection device, add it to the lift documentation and provide any necessary tools or measuring devices, which allow a safe examination (e. g. with closed landing doors).
- 2.7 Fast and safe rescuing of lift passengers must be possible by suitable technical measures under all circumstances. It must be documented in the operation manual of the lift.
- 2.8 The identification drawing LK_200 respectively LK_A-ACR_DE, LK_200C-CR_DE or LK_200/S_DE including stamp dated 2016-04-07 shall be included to the EU type-examination for the identification and information of the general construction and operation and distinctness of the approved type.
- 2.9 The EU type-examination certificate may only be used in combination with the corresponding annex and enclosure (List of authorized manufacturer of the serial production). The enclosure will be updated immediately after any change by the certification holder.

3 Remarks

- 3.1 Considering the whole protection systems, it is necessary to include time need and impact of build-up the tensile force as well as spread and change over time, perhaps possible distances and/or time delay caused by mechanical deflections.
- 3.2 Possible design variants (also in combination):
 - Design with or without testing groove
 - Preliminary switch off
 - Remote release
 - Protection against lowering
 - Safety switch with electrical resetting
 - Attachment pulse encoder
 - Protection device against rope leaving the pulley
 - Protection cover
 - Magnetic sensor
- 3.3 The overspeed governor can also be used to a counterweight in compliance with the permissible tripping speed.
- 3.4 This EU type-examination certificate was issued according to the following standards:
 - EN 81-1:1998 + A3:2009 (D), Annex F.4, F.7 and F.8
 - EN 81-2:1998 + A3:2009 (D), Annex F.4 und F.8
 - EN 81-20:2014 (D), part 5.6.2.2.1.7, part 5.6.6.11 and part 5.6.7.13
 - EN 81-50:2014 (D), part 5.4, 5.7 and 5.8

A revision of this EU type-examination certificate is inevitable in case of changes or additions of the above mentioned standards or of changes of state of the art.

**Enclosure to the EU Type-Examination Certificate
No. EU-OG 182 of 2016-04-07**



Industrie Service

Authorised Manufacturer of Serial Production – Production Sites (valid from: 2016-04-07):

Company P.F.B. s.r.l.
Address Via Raimondo Dalla Costa, 690
41122 Modena – Italy

- END OF DOCUMENT -

Sez.A-A

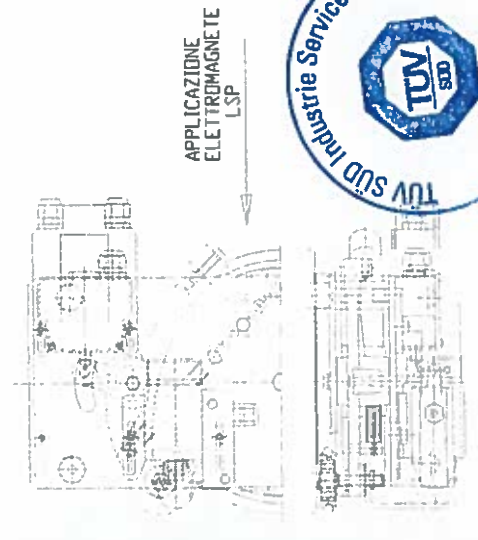
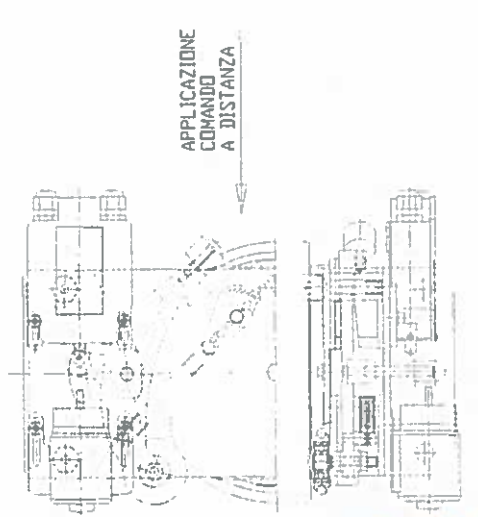
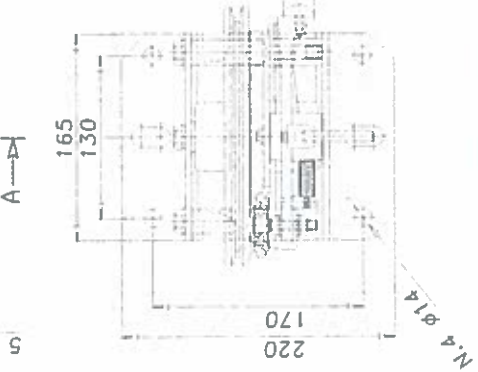
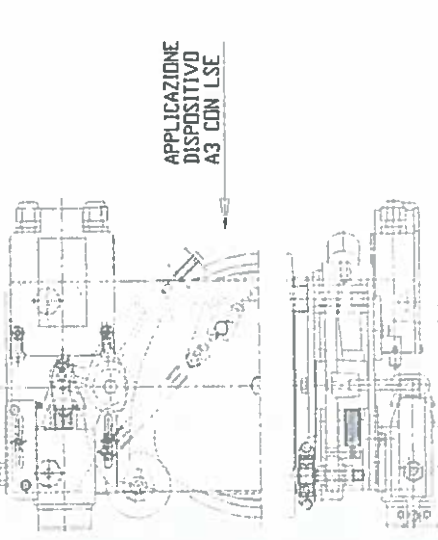
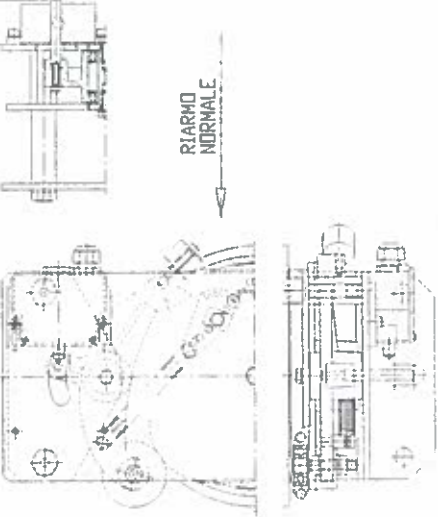
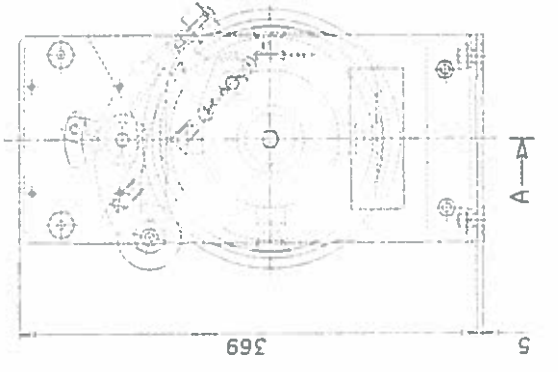
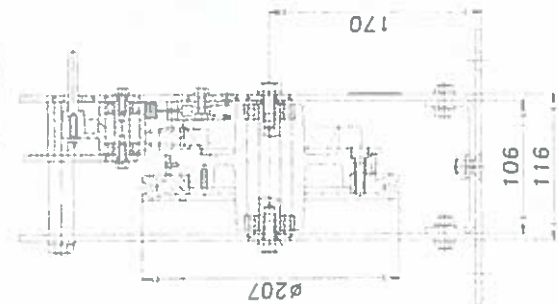
A →

A →

A →

A →

A →



07. APR. 2016

GEPRÜFT / APPROVED
 TUV SUD Industrie Service GmbH
 Prüflaborium für Produkte der Elektrotechnik
 Westerpaststraße 199
 80666 München
 Sachverständige(r) Expert



APPLICAZIONE
 DISPOSITIVO
 A3 CON LSE

RIARMO
 NORMALE

APPLICAZIONE
 ELETTROMAGNETE
 LSP

APPLICAZIONE
 COMANDO
 A DISTANZA

Spussi non quotati / 45°	scala 1:4	Q.ta'	NOTE
Raggi non quotati	DENOMINAZIONE		MATERIALE
TOLLERANZE LIBERE	COMPLESSIVO		QUALITA'
S.L.	GRUPPO LIMITATORE LK_200		STATO-N° MOD.
REGG.	INTERNATIONAL APPLICATION N° PCT/EP97/00466		DIMEN.
TOLL.	COMPONENTI MECCANICI PER ASCENSORI		PESO KG.
± 0,2	CODICIN° 8024200200		T.T.
± 0,15	DIS. VER. DATA		DIS.
± 0,1	TORI		VER.
± 20'	ALBERI		DATA
0,04	TORI		CODICIN°
0,04	ALBERI		DIS.N°
0,04	TORI		8024200200
0,04	ALBERI		LK_200

MODIFICHE - MODIFIKATIONEN

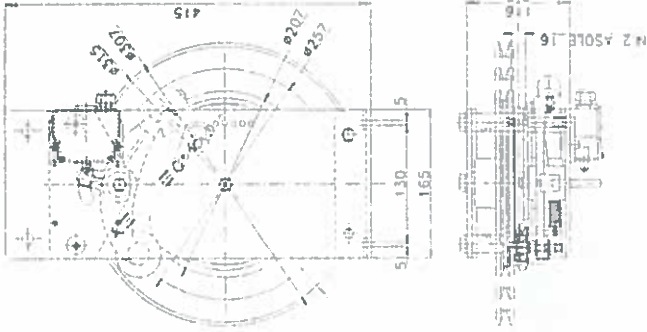
DESCRIZIONE
 BESCHREIBUNG

NR. DATA
 NR. DATUM

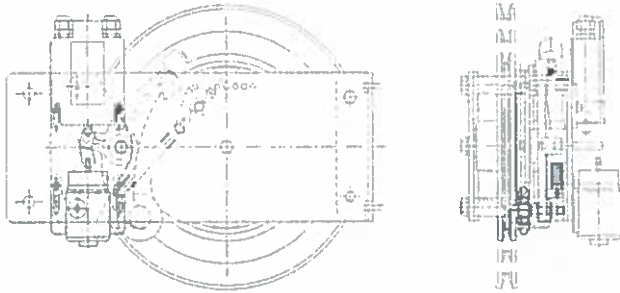
IL PRESENTE DISEGNO E' DI PROPRIETA' DELLA PFB SRL. NE E' VIETATA LA DIVULGAZIONE A TERMINI DI LEGGE, SENZA AUTORIZZAZIONE.
 NYFILE: LK_200_S.DWG

LK-200A/250A/300A/315A
 cod. 8024202200/250/300/315

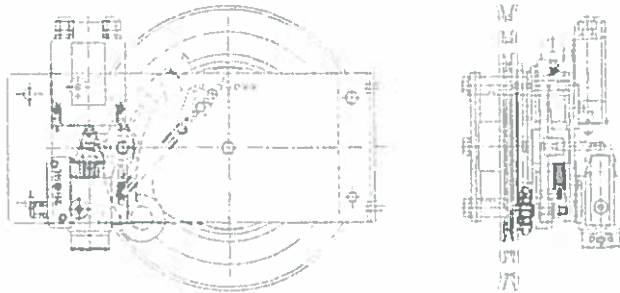
RIARMO NORMALE



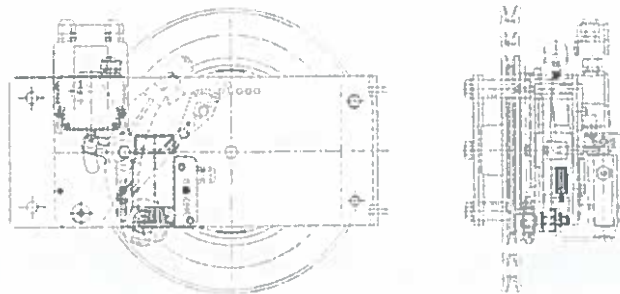
COMANDO A DISTANZA



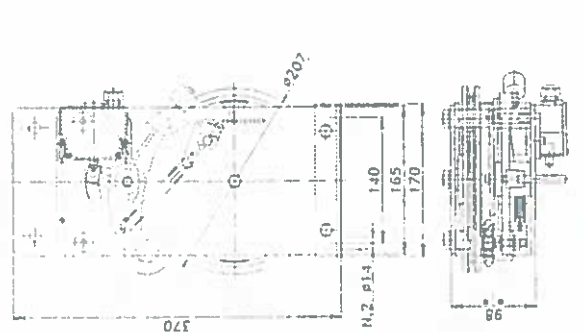
DISPOSITIVO A3 CON LSE



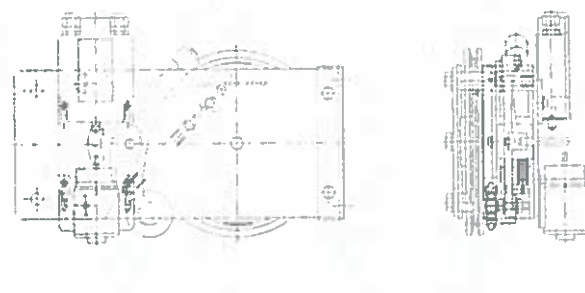
ELETTROMAGNETE LSP



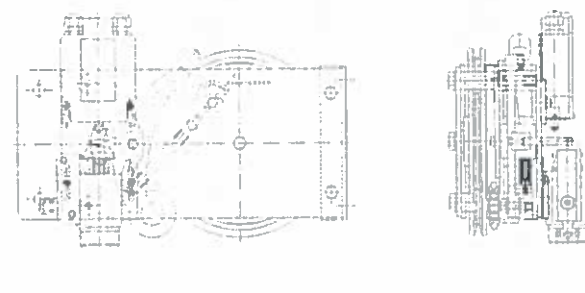
RIARMO NORMALE



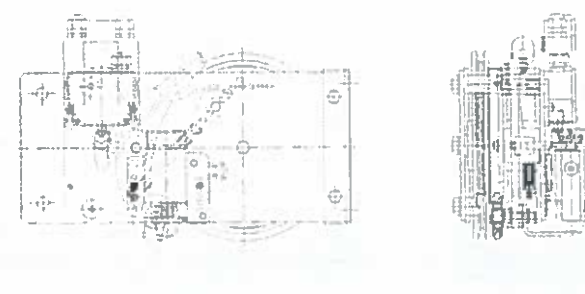
COMANDO A DISTANZA



DISPOSITIVO A3 CON LSE



ELETTROMAGNETE LSP



07. APR. 2016

GEPRÜFT / APPROVED
 TÜV SUD Industrie Service GmbH
 Prüflaborator für Produktprüftechnik
 Vestingstraße 199
 80635 München
 Sachverständige(r) / Expert

LK_200ACR
 cod. 8024202210



MODIFICHE - MODIFIKATIONEN

Sequenz from 001 to 1000 from 001 to 1000	/ 45°	scala	1:4	D. rev.
5	-	-	-	-
4	-	-	-	-
3	-	-	-	-
2	-	-	-	-
1	-	-	-	-
NO	DA	DE	DE	DE
OP	DE	DE	DE	DE

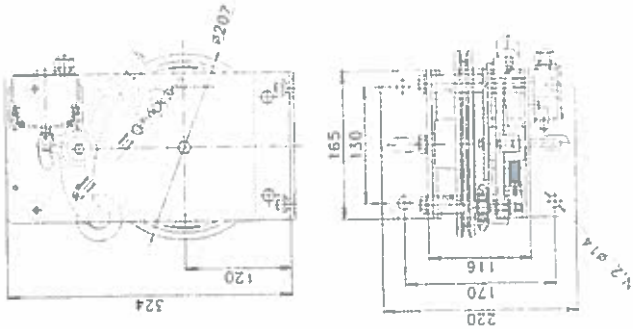
LAUFRICHTEN	NOTE
DIAMETRA	MATERIALE
SIAU/MH-MOD.	
DIMEN.	
PESS. NP.	
T. T.	
DIS. VIER	DATA
8024202200	02/06/15
COD. N°	8024202210 GEN
TRIS N°	8024202210
	LK_A-ACP_DE



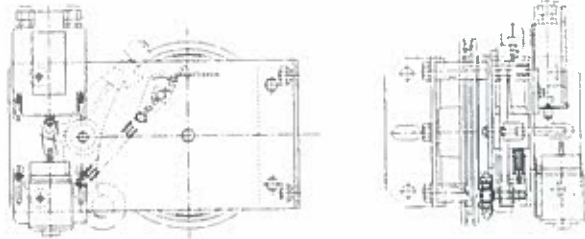
IL PRESENTI DISCAD E SI MONTA A BILIA PUO' SU... E' U' VETTA LA REALIZZAZIONE A TORRE DI... SIDA A... TRAZIONE.

LK_200/C
cod. 8024200200/C

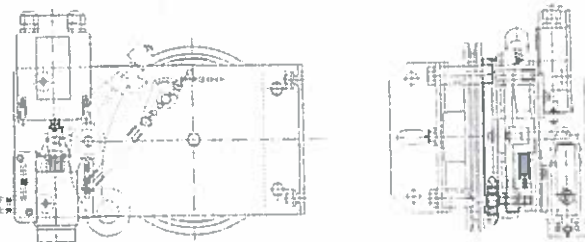
RIARMO NORMALE



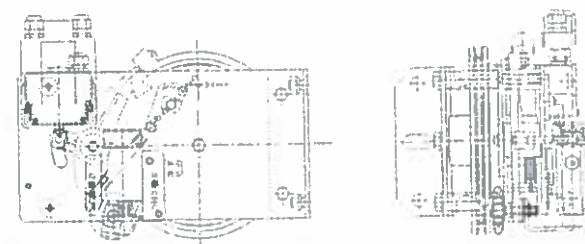
COMANDO A DISTANZA



DISPOSITIVO A3 CON LSE



ELETTROMAGNETE LSP

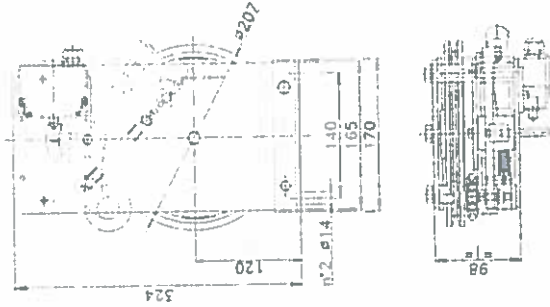


07. APR. 2016

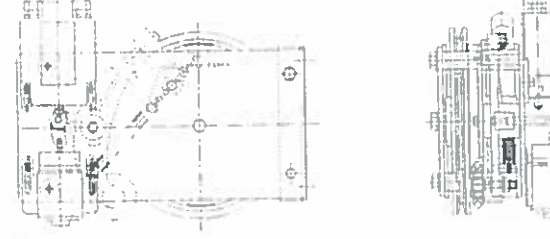
GEPRÜFT / APPROVED
TUV SUD Industrie Service GmbH
Prüflaboratorium für Produkte der Förder-Technik
Westendstraße 199
80695 München
Sachverständigenbüro Expert

LK_200/CR
cod. 8024200210

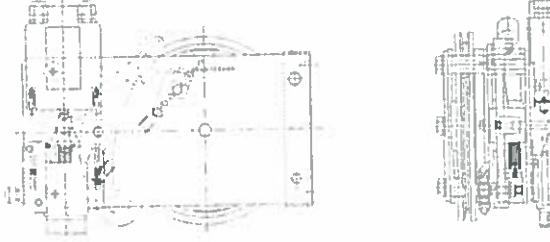
RIARMO NORMALE



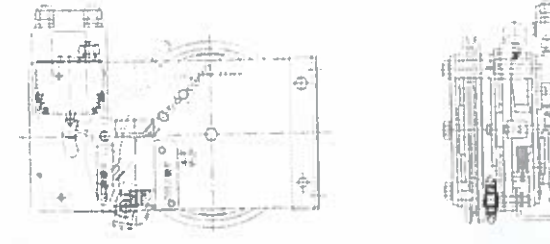
COMANDO A DISTANZA



DISPOSITIVO A3 CON LSE



ELETTROMAGNETE LSP



5	-	-	-	-	-
4	-	-	-	-	-
3	-	-	-	-	-
2	-	-	-	-	-
1	-	-	-	-	-
NR	214				
MR	214				
MD	214				

MODIFICHE - MODIFIKATIONEN

Scalari	/45°	Scala	1:4	D.d.a.	
PRODOTTORE		DENOMINAZIONE	COMPLESSIVO LIMITATORI LK		
MODELLO		CORTO E CORTO RIBBITO			
VERSIONE		GRUPPO	LIMITATORI LK_200C e LK_200CR		
REVISIONE		INTERNATIONAL APPLICATION N°	PCI/EP97/03166		
DATA		T.T.		VER	DATA
22/06/15					22/06/15
					8024200200/C
					8024200210
					LK_200C-CR_DE

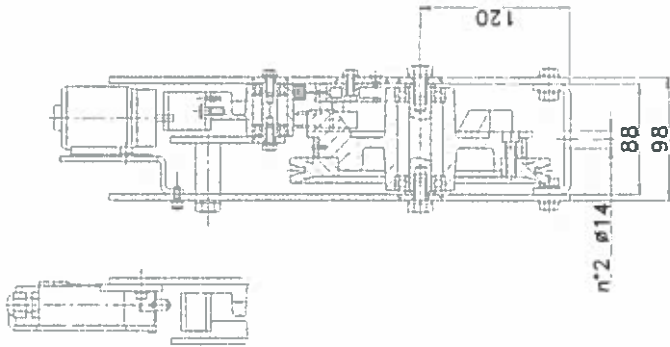
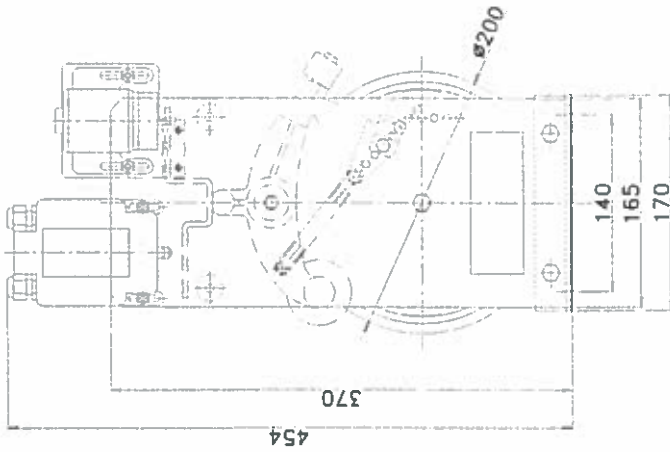


COMPONENTI MECCANICI PER ASCENSORI

L'INTEGRALE DELLA PAG. 55. N. E' VIGENTE IN TUTTE LE VERSIONI E LEGGE. TUTTA MODIFICAZIONE

PRODOTTORE: TUV SUD

COMANDO A DISTANZA



07. APR. 2016

GEPRÜFT / APPROVED
 TÜV SUD Industrie Service GmbH
 Prüflaborium für Produkte der Fördertechnik
 Westeprstraße 159
 80686 München
 Sachverständige(r) / Expert



NR.	DATA	DESCRIZIONE
NR.	DATA	BESCHREIBUNG
5	-	
4	-	
3	-	
2	-	
1	-	

MODIFICHE - MODIFIKATIONEN

AVV. QUOTATI	45°	scala	1:4	Q.ta'	LAVORGEN.	NOTE
AVV. QUOTATI	AVV. QUOTATI	AVV. QUOTATI	AVV. QUOTATI	AVV. QUOTATI	MATERIALE	
TOLL.QUOTE LIBRE						
S.L. RUGGOS. TOLL.						
∇	∇	∇	∇	∇	QUALITA'	
∇	∇	∇	∇	∇	STATO-N°-MOD.	
∇	∇	∇	∇	∇	DIMEN.	
∇	∇	∇	∇	∇	PESO KG.	
∇	∇	∇	∇	∇	T.T.	
∇	∇	∇	∇	∇	DIS.	DATA
∇	∇	∇	∇	∇	VER.	22/06/15
∇	∇	∇	∇	∇	COD.N°	8024200219
∇	∇	∇	∇	∇	DIS.N°	LK_200S_DE



IL PRESENTE DISEGNO E' DI PROPRIETA' DELLA PFB SRL, NE E' VIETATA LA DIVULGAZIONE A TERMINI DI LEGGE, SENZA AUTORIZZAZIONE

FILE: LK_200S_DE.DWG