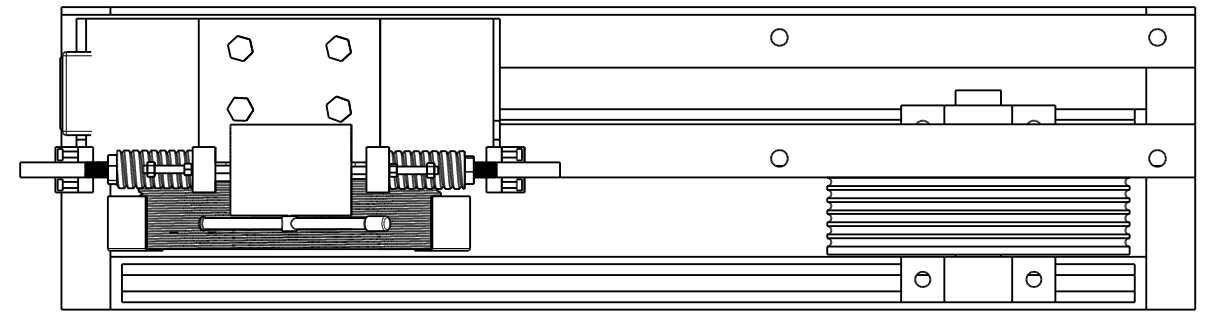
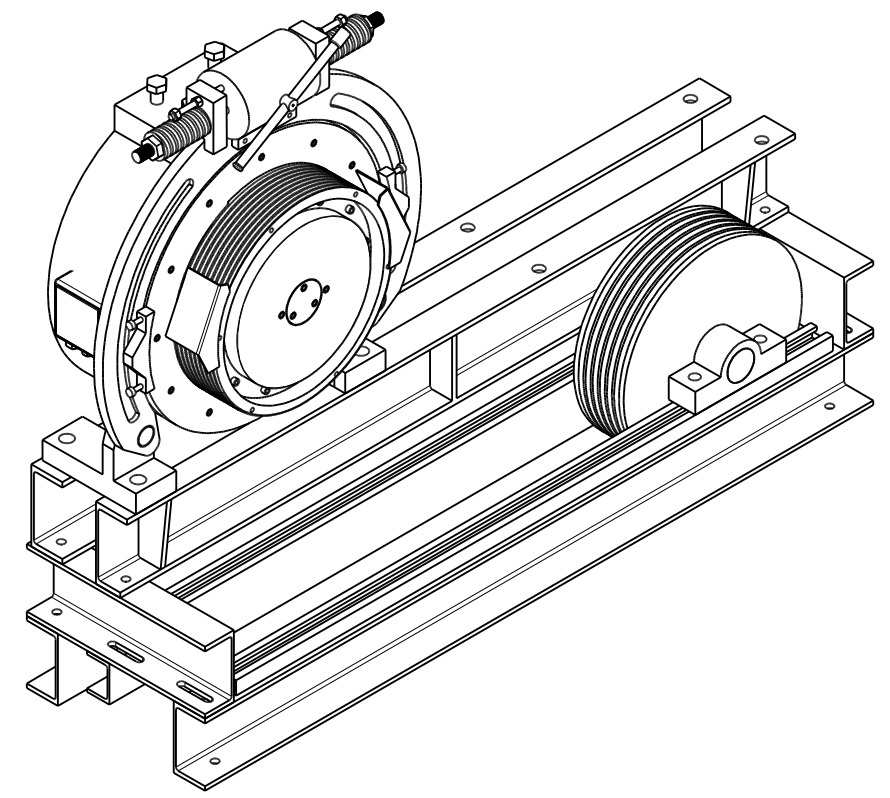
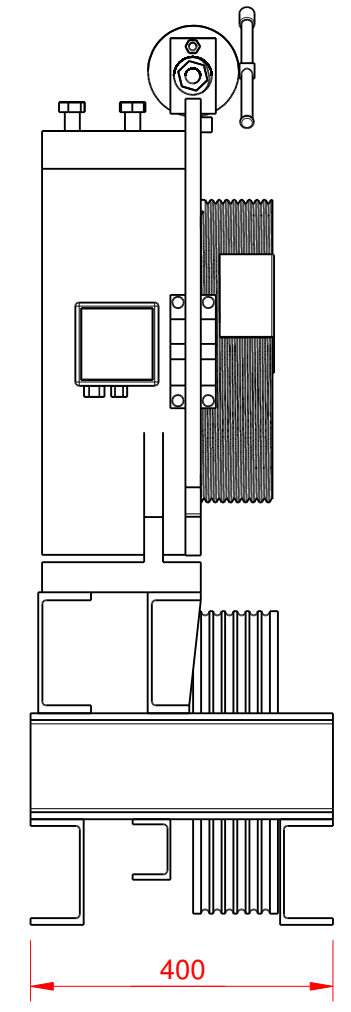
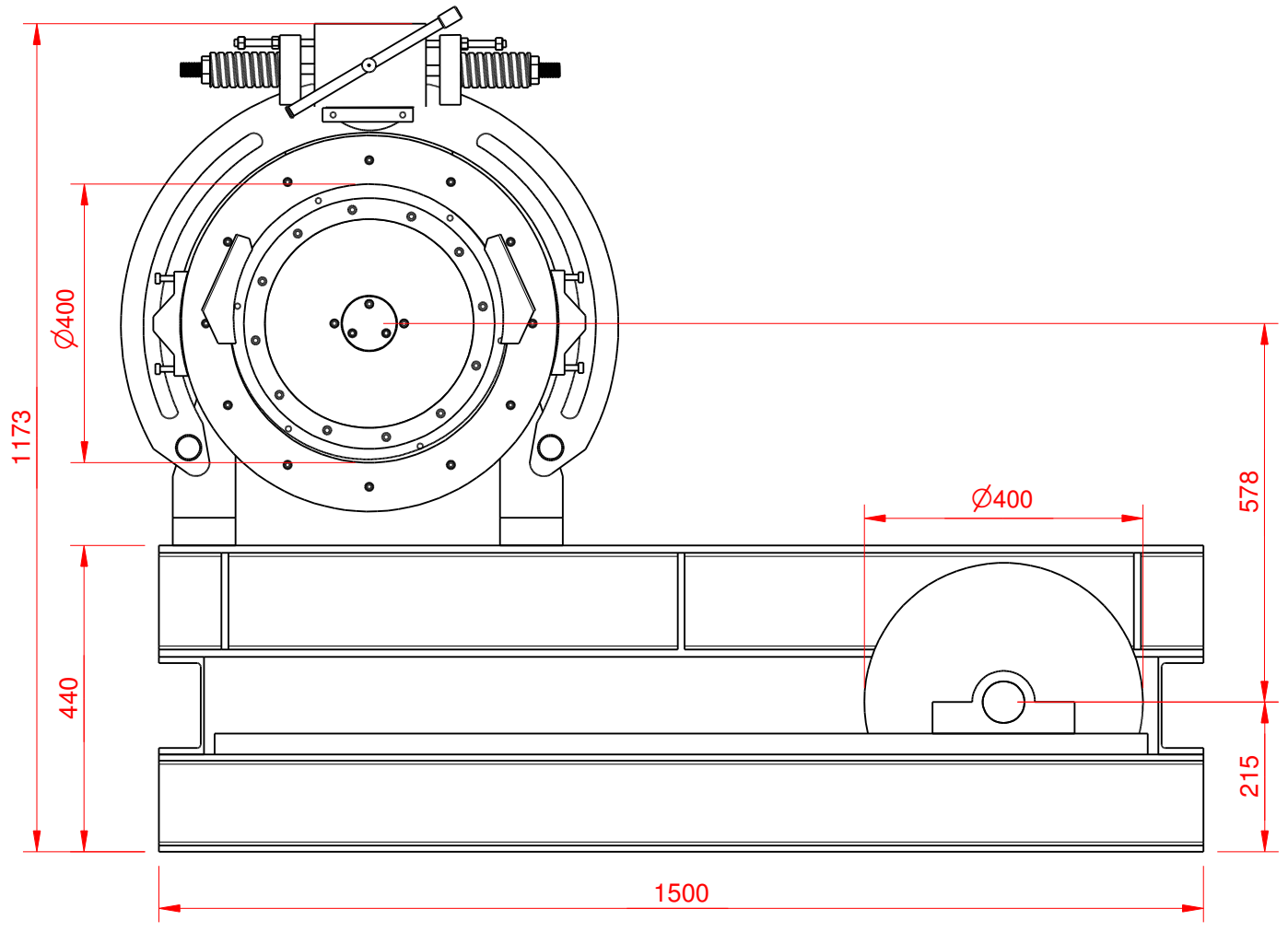



A
B
C
D
E
F

A
B
C
D
E
F



Itemref	Quantity	Title/Name, designation, material, dimension etc	Article No./Reference		
Drawn by T.J	Checked by	Approved by - date	File name	Date 2015-02-24	Scale 1:10
			Fundament 103-02 1500mm		
			DWN NO.	Edition	Sheet 1/1