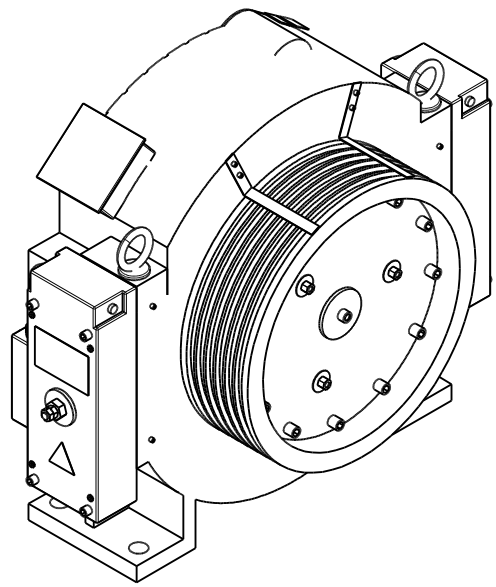
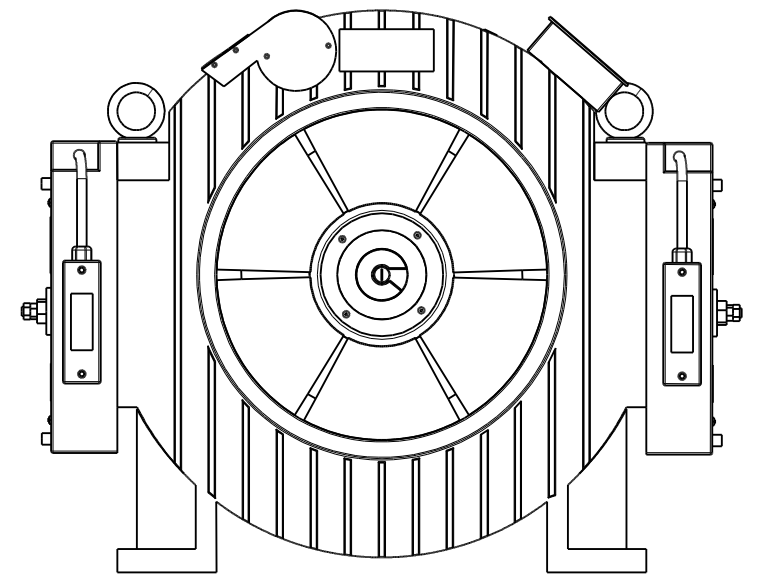
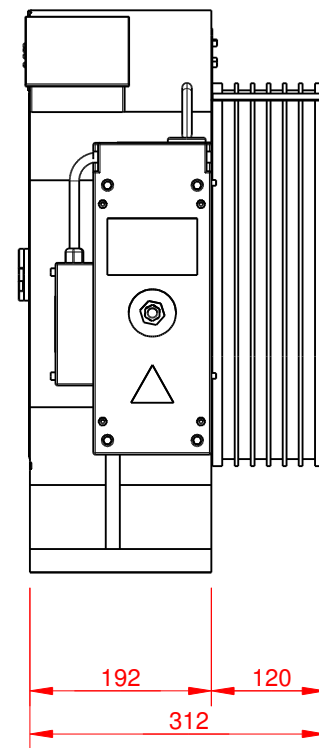
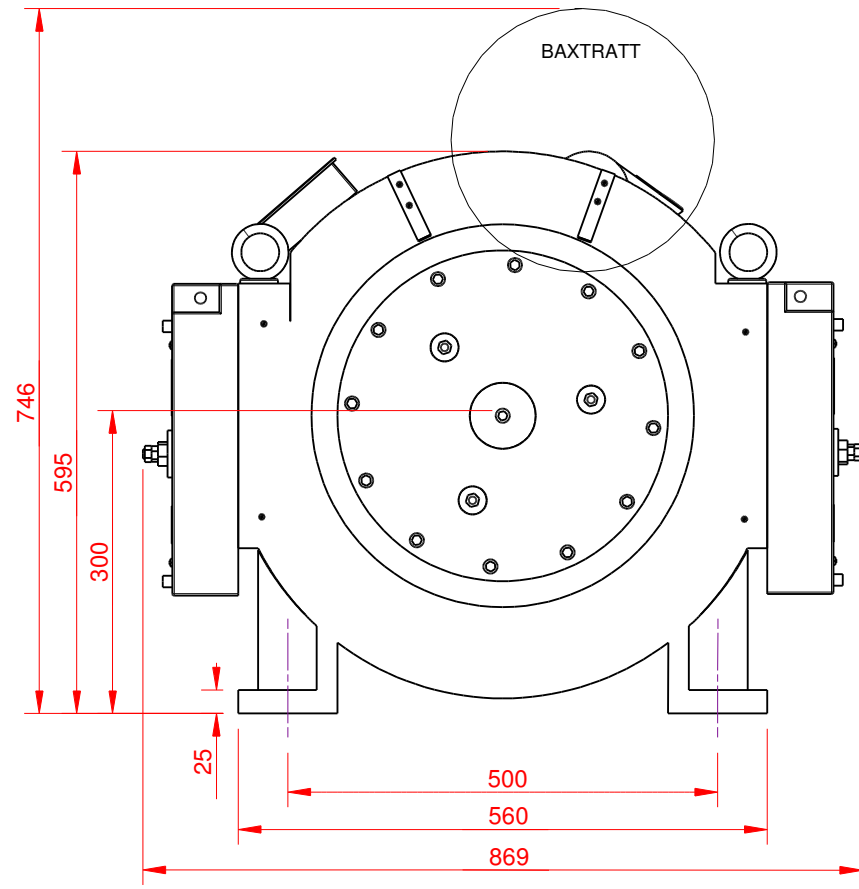
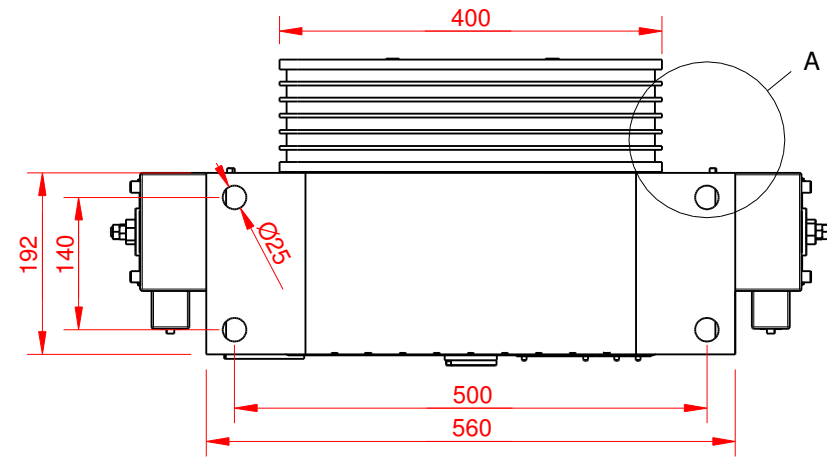



Detail A



Itemref	Quantity	Material:	Article No./Reference		
Drawn by T.J	Checked by	Approved by - date	File name	Date 2017-04-10	Scale 1:8
			Motor 103-08		
			DWN NO.	Edition 1	Sheet 1/1