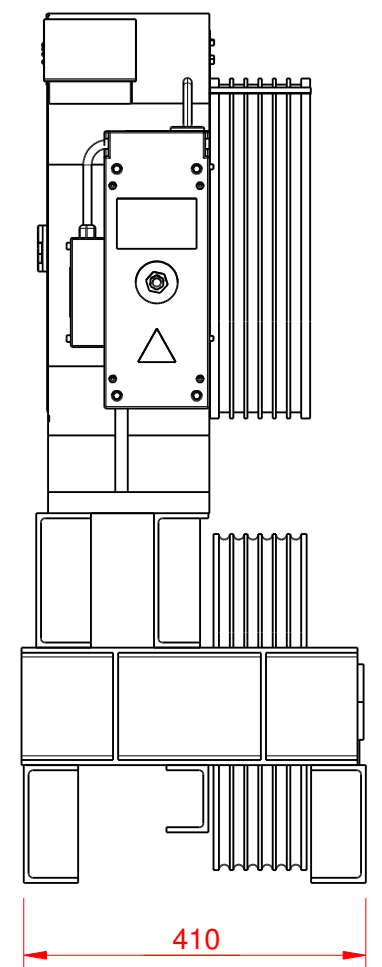
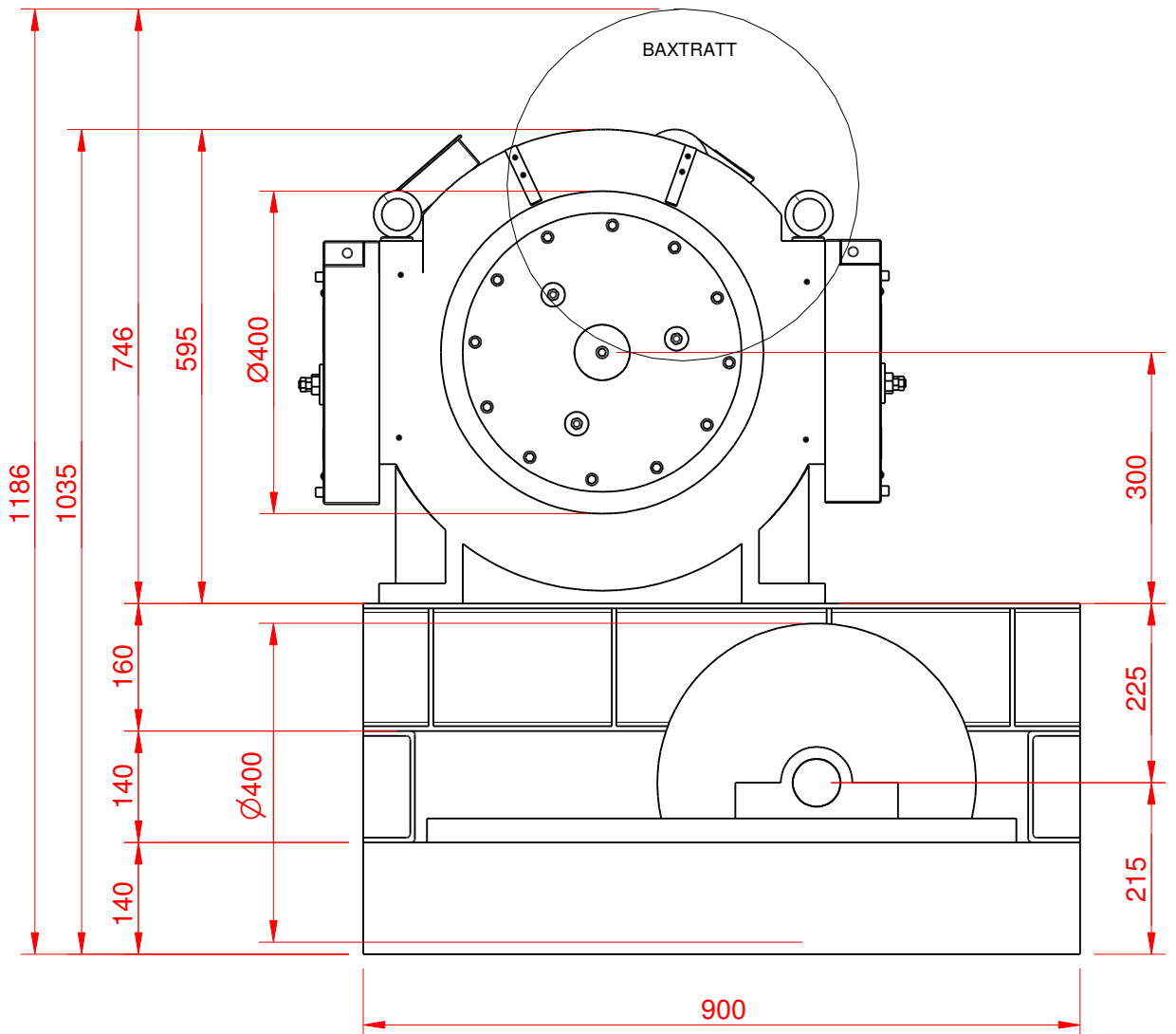
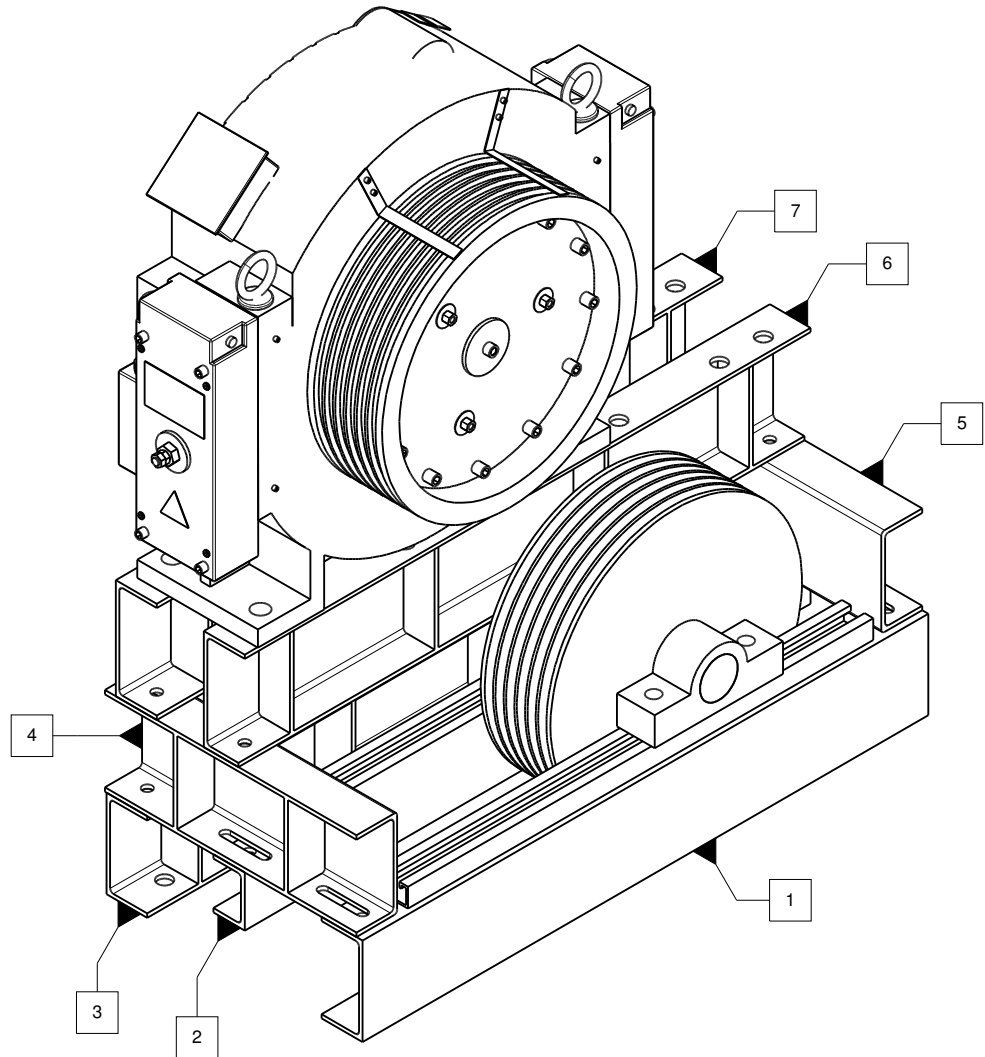


A
B
C
D
E
F

A
B
C
D
E
F



Itemref	Quantity	Material:	Article No./Reference		
Drawn by T.J	Checked by	Approved by - date	File name	Date 2017-10-24	Scale 1:9
			Maskinstativ 103-08 900mm Motor 103-08		
			DWN NO.	Edition 3	Sheet 1/1