

1

2

3

4

5

6

7

8

RevNo	Revision note	Date	Signature	Checked
-------	---------------	------	-----------	---------

A

B

C

D

E

F

A

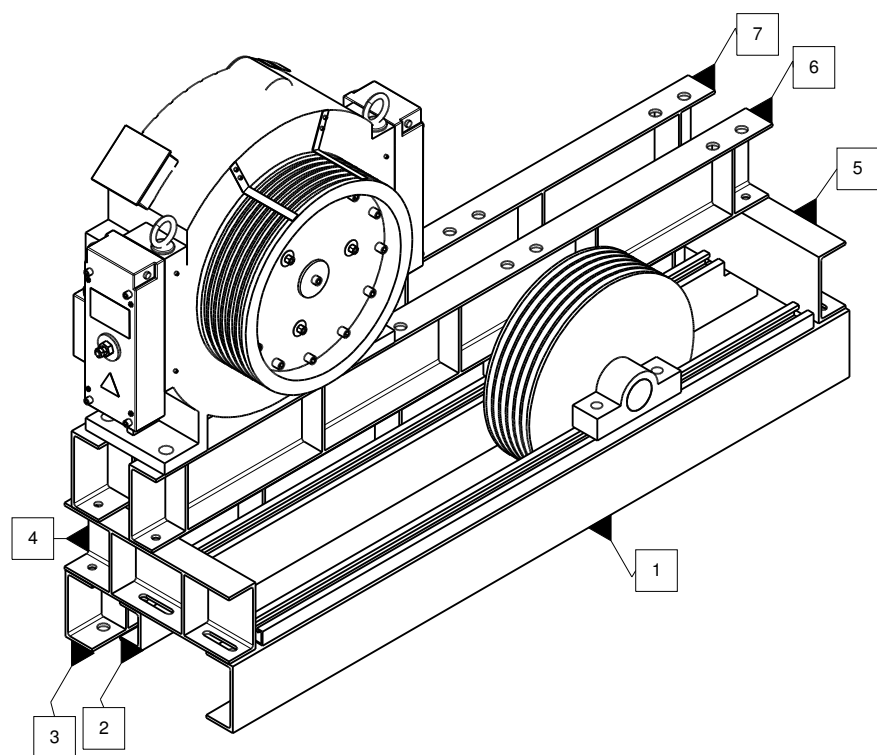
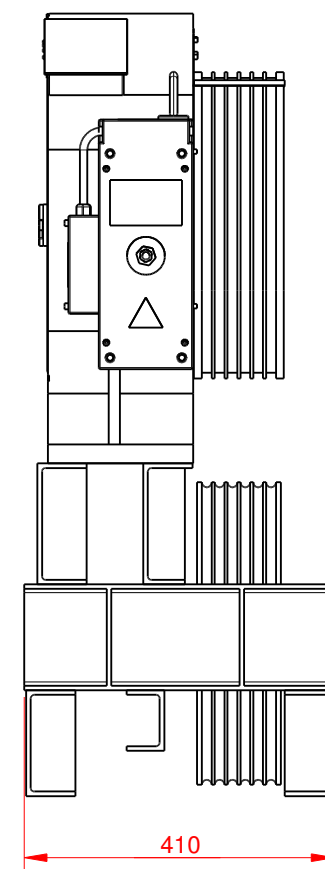
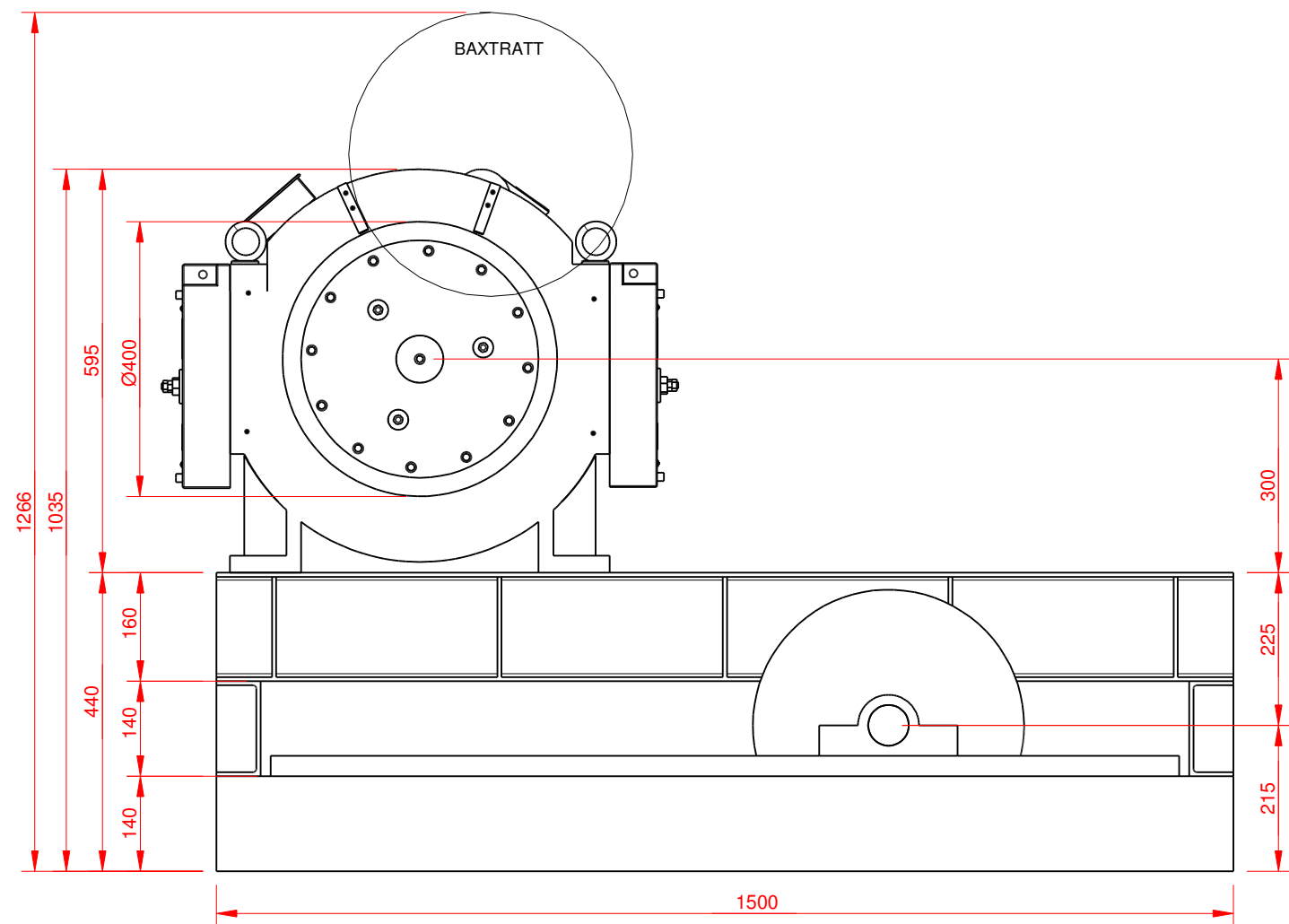
B

C

D

E

F



Itemref	Quantity	Material: 6mm	Article No./Reference		
Drawn by T.J	Checked by	Approved by - date	File name	Date 2017-10-24	Scale 1:10
			Fundament 103-08 1500mm MOTOR 103-08 Sammanställning		
			DWN NO.	Edition 3	Sheet 1/1

1

2

3

6

7

8