



Industrie Service

EU-TYPE EXAMINATION CERTIFICATE

According to Annex IV, Part A of 2014/33/EU Directive

Certificate No.:	EU-BD 943
Certification Body of the Notified Body:	TÜV SÜD Industrie Service GmbH Westendstr. 199 80686 Munich – Germany Identification No. 0036
Certificate Holder:	NBSL Elevator Components Co., Ltd. No.1 Keyuan Road, Shipu Technology Zone, Xiangshan County, Ningbo, Zhejiang Province, P. R. China
Manufacturer of the Test Sample: <small>(Manufacturer of Serial Production - see Enclosure)</small>	NBSL Elevator Components Co., Ltd. No.1 Keyuan Road, Shipu Technology Zone, Xiangshan County, Ningbo, Zhejiang Province, P. R. China
Product:	Braking device acting on the traction sheave, as part of the protection device against overspeed for the car moving in upwards direction and braking element against unintended car movement
Type:	ZLZ-08
Directive:	2014/33/EU
Reference Standards:	EN 81-20:2014 EN 81-50:2014 EN 81-1:1998+A3:2009
Test report:	EU-BD 943 of 2016-05-26
Outcome:	The safety component conforms to the essential health and safety requirements of the mentioned Directive as long as the requirements of the annex of this certificate are kept.
Date of Issue:	2016-07-28

Achim Janocha
Certification Body "lifts and cranes"



CERTIFICADO

Examen CE de tipo para componentes de seguridad

EC type-Examination of safety components

Directiva 95/16/CE

Directive 95/16/EC

Certificado N°.:DAS.VA.000024

Certificate-No.:

Nombre y domicilio social del fabricante:

Name and address of the manufacturer:

**Ningbo Shenling Lift Accessories Co., Ltd
195 Nanping Road Shipu Town
Ningbo - China**

Certificamos que el diseño de fabricación mencionado a continuación cumple los requisitos de la Directiva 95/16/CE y los del R.D. 1314/1997.

We hereby certify that the manufacture design mentioned below meets the requirements of the Directive 95/16/EC and of the R.D. 1314/1997.

Examinado según la Directiva 95/16/CE:

Tested according to Directive 95/16/EC:

Norma de Referencia

Reference Standard

Examen CE de tipo (Anexo V A)

EC-Type-Examination (Annex V A)

EN81-1 :1998+A3 :2009

Informe n°:

Test report No.:

Fecha informe:

Date of test report:

I.DAS.003033

04.08.11

Descripción del componente de seguridad:

Description of safety component:

Máquina y dispositivo de protección contra la sobrevelocidad de la cabina en subida.

Machine safety devices against overspeeding of the car upwards.

Modelo:

Model:

Documentos anexos a este certificado:

Documents annexed to this certificate:

WYJ103-05/ZLZ-04

Anexo I – Datos básicos

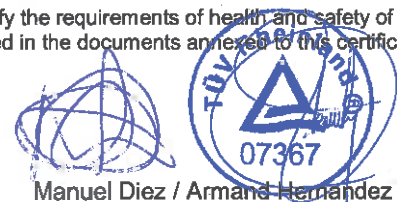
Annex I – Basic Data

Anexo II – Planos: NS103005C049, NS103005C018,

Annex II – Drawings: NS103005C049, NS103005C018

Declaración: El componente de seguridad permite al ascensor sobre el que se instale satisfacer los requisitos de Seguridad y Salud de la citada Directiva usándose dentro del alcance que queda establecido en los documentos anexos de este certificado, así como con las condiciones de instalación indicadas por el fabricante.

Statement: The safety component allows the lift on which installed to satisfy the requirements of health and safety of Lifts Directive when used among the scope which is established in the documents annexed to this certificate, as well as under the shown installation conditions



Manuel Diez / Armand Hernandez

El Prat de Llobregat, 30 de Agosto de 2011

Organismo Notificado N° 1027
Notified Body, ID-No.

TÜV Rheinland Ibérica Inspection, Certification & Testing, S.A.
(por absorción de TÜV Internacional Grupo TÜV Rheinland, S.L.)
Parc de Negocis Mas Blau
Ed. Océano c/ Garrotxa, 10-12
E-08820 El Prat de Llobregat

Tel. +34 934 781 131
Fax +34 934 780 768
e-mail info@tuv.es

CERTIFICADO

DAS.VA.000023
ANEXO I – Datos Básicos
Annex I – Basic Data

1. Campo de aplicación:

Scope:

Máquina y dispositivo de protección contra la sobrevelocidad de la cabina en subida.
Machine safety devices against overspeeding of the car upwards.

Sección 12 MAQUINA de la Norma UNE EN 81-1:1998 + A3:2009
Section 12 MACHINE of the Standard UNE EN 81-1:1998 + A3 :2009

Sección 9.10 MEDIOS DE PROTECCIÓN CONTRA SOBREVOLOCIDAD DE CABINA EN SUBIDA de la Norma UNE EN 81-1:1998 + A3:2009
Section 9.10 Overspeed protection device of the ascending car for electric lifts of the Standard UNE EN 81-1:1998 + A3 :2009

2. Características de aplicación de las máquinas

Nº	Tipo <i>Type</i>	Carga máxima admisible <i>Permis. maximum load</i>	Velocidad nominal máxima <i>Maximum rated speed</i>	Potencia <i>Power</i>	Polea Sheave	Tracción <i>Ropering type</i>
1	WYJ103-05	1350kg	1,0m/s	8,6kW	440mm	2:1
2	WYJ103-05.2	1600kg	1,0m/s	10,5kW	440mm	2:1

3. Notas

Remarks

3.1 Laboratorio de ensayo

Test laboratory

Instituto Tecnológico de Aragón
 Laboratorio de seguridad Funcional y NVH
 c/Maria de Luna, 7-8 50018 ZARAGOZA

3.2 Informe técnico

Technical report

EXPEDIENTE 01/2011 WYJ103-05

3.3 Informe de ensayo

Test Report

C/1032412

C/1032411 (Electromagnetic compatibility)

3.4 Documentos anexos al certificado

Documents enclosed to this certificate

DESIGNACIÓN/Number	Fecha/Date	Leyenda/Title
NS103005C049	26-09-2008	General Drawing
NS103005C018	01-09-2006	Braking Device



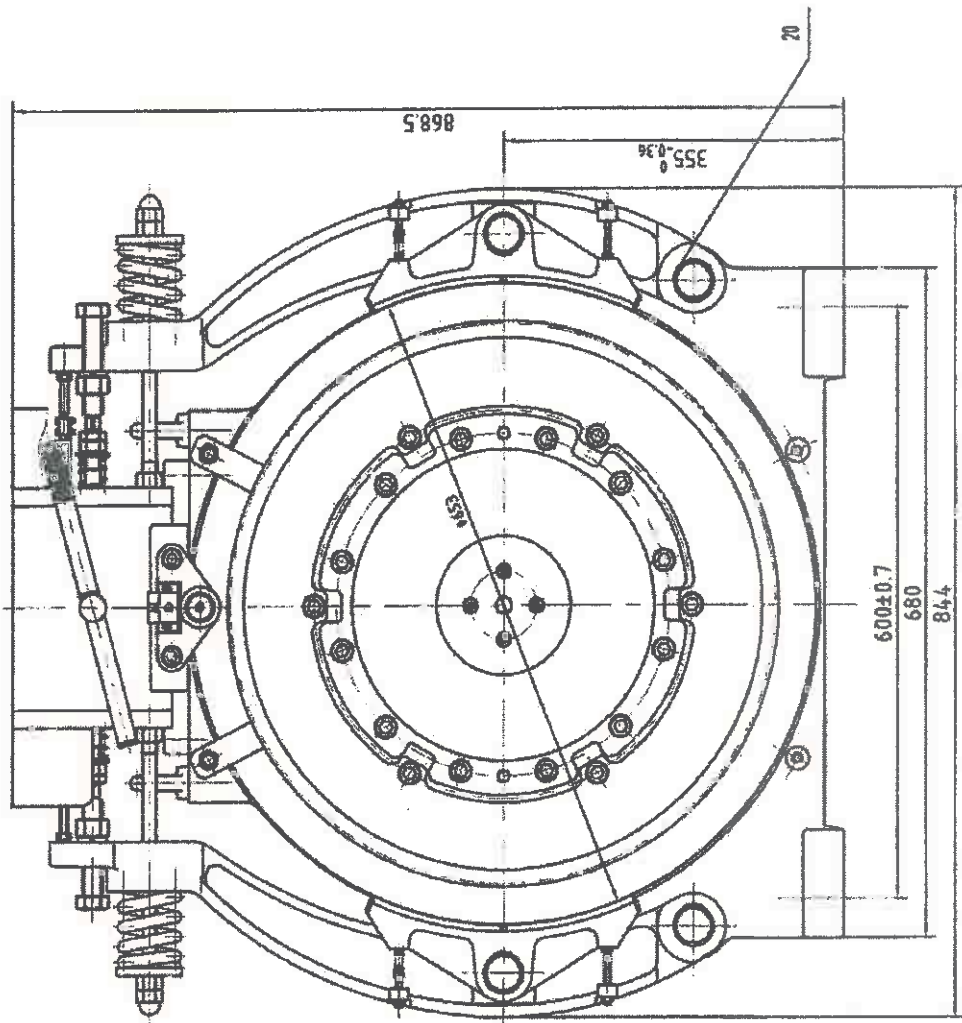
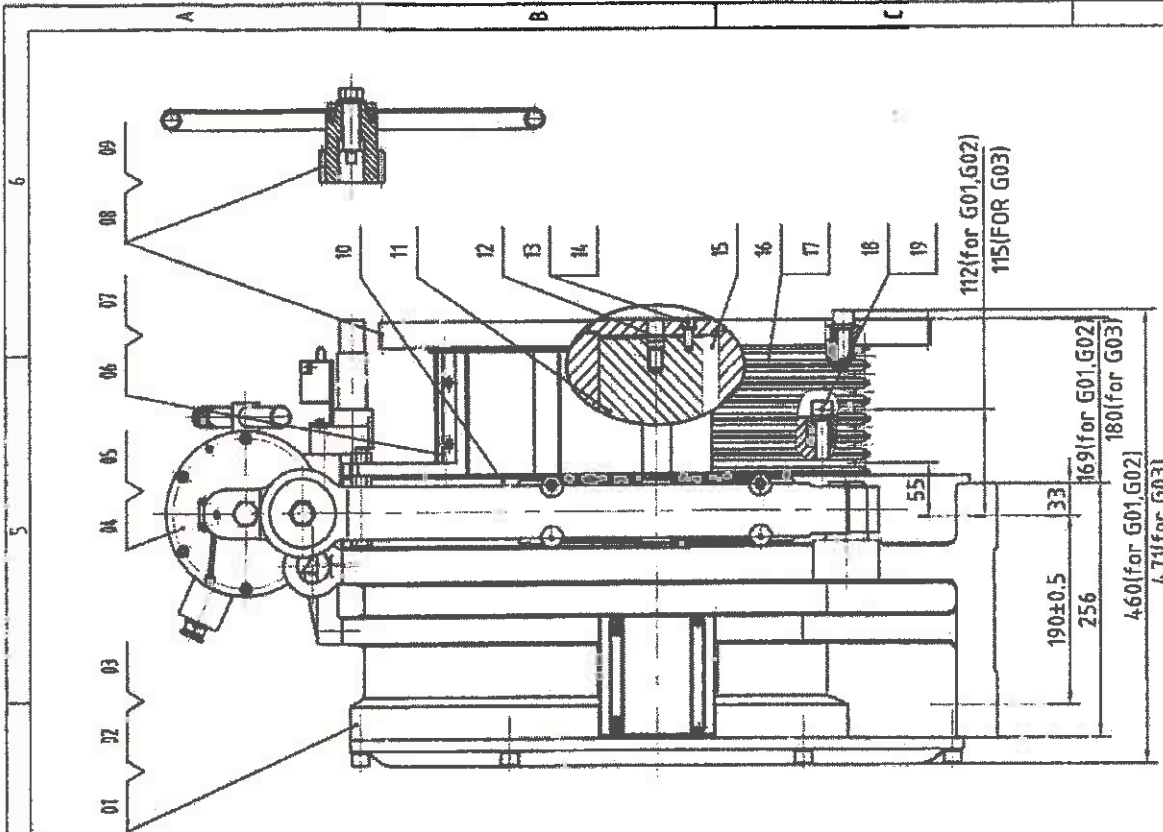
Manuel Diez / Armand Hernandez

El Prat de Llobregat, 30 de Agosto de 2011

Organismo Notificado Nº 1027
Notified Body, ID-No.

TÜV Rheinland Ibérica Inspection, Certification & Testing, S.A.
 (por absorción de TÜV Internacional Grupo TÜV Rheinland, S.L.)
 Parc de Negocis Mas Blau
 Ed. Océano c/ Garrotxa, 10-12
 E-08820 El Prat de Llobregat

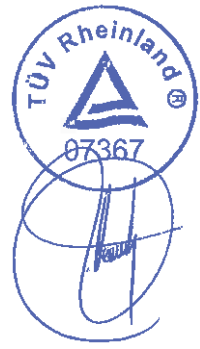
Tel. +34 934 781 131
 Fax +34 934 780 768
 e-mail info@tuv.es



Part Name	QTY	Material	Remarks
NS103005C049	1	Cast Iron	

NS103005C049

scale: 1:5	weight:	weight:	weight:
Drawn by: 王春林	Checked by: 王春林	Audited by: 王春林	Released Drawing No: WYJ103-05.2
Standard by: 王春林	Approved by: 王春林	Date: 2011-9-16	Related Drawing No: WYJ103-05.2
General drawing			TRACTION MACHINE
NS103005C049			103
Total: 2 page			No. 1 page
Ningbo Shengling Lift Accessories Co.Ltd			



POS.	Name Of Part	DEF	Part No.	Set	L Table	Material	Weight	Surface Treatment	Remark	POS	G01	G02	G03
-01	Motor	DW6	NS103005C048	G01						-01	1		
-02	Motor	DW6	NS103005C048	G02						-02		1	
-03	Motor	DW6	NS103005C048	G03						-03			1
-04	Braking device	DW6	NS103005C018	G01						-04	A1A	A1A	A1A
-05	Braking device	DW6	NS103005C018	G02						-05	A2A	A2A	A2A
-06	Anti-rebound device	DW6	NS103005C027	G01						-06	1	1	
-07	Anti-rebound device	DW6	NS103005C073	G01						-07			1
-08	gear reversing device	DW6	NS103005C050	G01						-08	1	1	
-09	gear reversing device	DW6	NS103005C050	G02						-09			1
-10	Traction frame	DW6	NS103005C032	-01						-10	1	1	1
-11	Sealing ring	DW6	NS103004D066	-01						-11	2	2	2
-12	Shaft cover	DW6	NS103004D065	-01						-12	1	1	1
-13	Spring	DW6	XL10F0012-25			steel M12x25				-13	4	4	4
-14	Spring	DW6	X213A0012			spring steel 12				-14	4	4	4
-15	Traction sheave	DW6	XL18A0032-125			45steel 18x63				-15	1	1	1
-16	Traction sheave	DW6	NS103005C042	-01						-16	1	1	
-17	Traction sheave	DW6	NS103005C071	-01						-17			1
-18	Spring	DW6	XL10F0014-60			carbon steel 12				-18	12	12	12
-19	Spring	DW6	X213A0014			steel 36				-19	12	12	12
-20	Spring	DW6	X216B1036							-20	4	4	4

A00	≤ ZDQ	ZDQ <	A1A	A2A
A01	1	2	1	0
A02	2	3	0	1

remark:
 ZDQ=1: brake rated voltage is 198V
 ZDQ=2: brake rated voltage is 110V

V=2.5 m/s	G03	traction machine
V=1.75 m/s	G02	traction machine
V=1.0 m/s	G01	traction machine
V	G00	name

NS103005C049 | 103
 TRACTION MACHINE

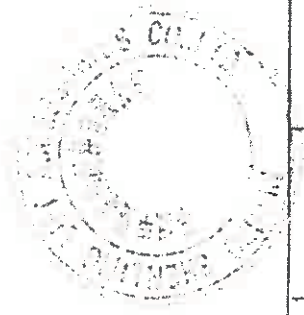
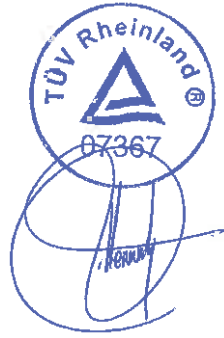
scale	1:5	weight	
Class Number			
importance			
Drawn by	王森	Standard by	王森
Checked by	王森	Approved by	王森
Reviewed by	王森	Date	2011-9-28

General drawing
 No. 1 page
 Total 2 page

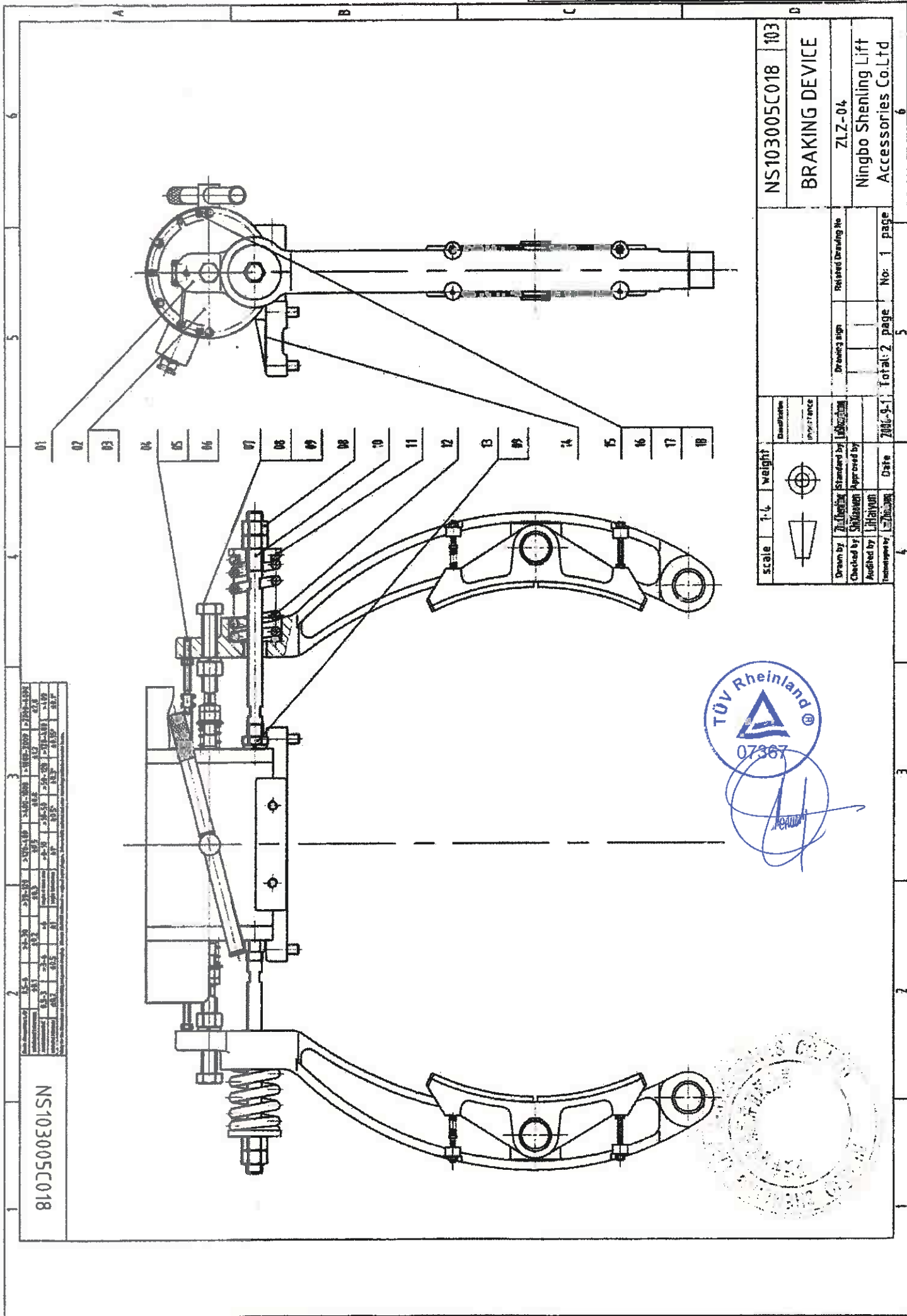
Ningbo Shengling Lift
 Accessories Co.Ltd

G

A

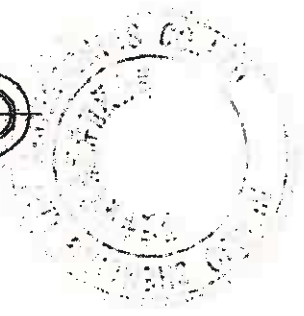
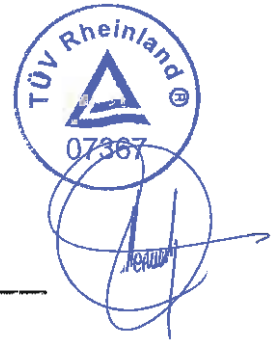


6703500E01NS



NS103005C018	1	2	3	4	5	6	7	8	9	10	11	12	13	14	15	16	17	18
--------------	---	---	---	---	---	---	---	---	---	----	----	----	----	----	----	----	----	----

scale	1:4	weight		Drawn by	Z. J. J. J.	Standard by	ISO 10300
				Checked by	S. H. H. H.	Approved by	
				Redrawn by	L. H. H. H.	Date	2011-9-1
NS103005C018		103		BRKING DEVICE		ZLZ-04	
						Ningbo Shenling Lift Accessories Co.Ltd	
						Total: 2 page No: 1 page	



NS103005C018