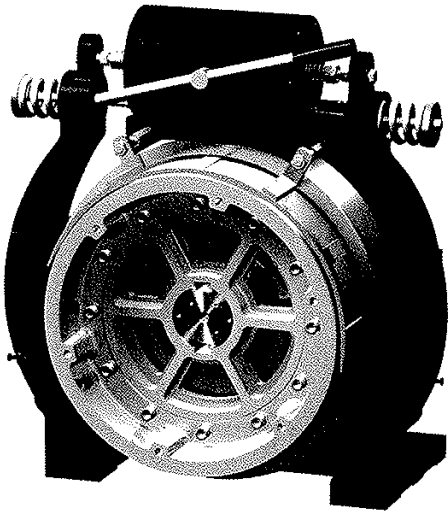


WYJ103-04

1:1永磁无齿曳引机 PM Gearless traction machine  
(1000kg)



| 型号规格 Type               | WYJ103-04 |     |      |   |     |
|-------------------------|-----------|-----|------|---|-----|
| 曳引比 Traction Ratio      | 1:1       |     |      |   |     |
| 额定电压(V) Rated voltage   | 380       |     |      |   |     |
| 额定载重(kg) Rated load     | 1000      |     |      |   |     |
| 最大轴载荷(kN) Max axle load | 90        |     |      |   |     |
| 自重(kg) Self weight      | 900       |     |      |   |     |
| 梯速(m/s) Lift speed      | 1         | 1.6 | 1.75 | 2 | 2.5 |
| 曳引轮槽数 Sheave groove No  | 6         |     |      |   |     |

