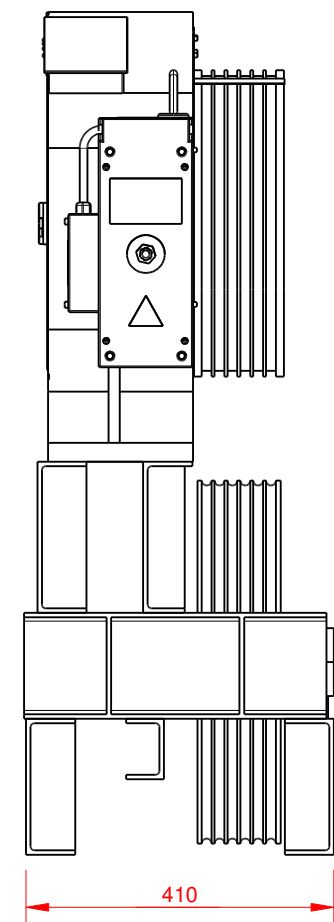
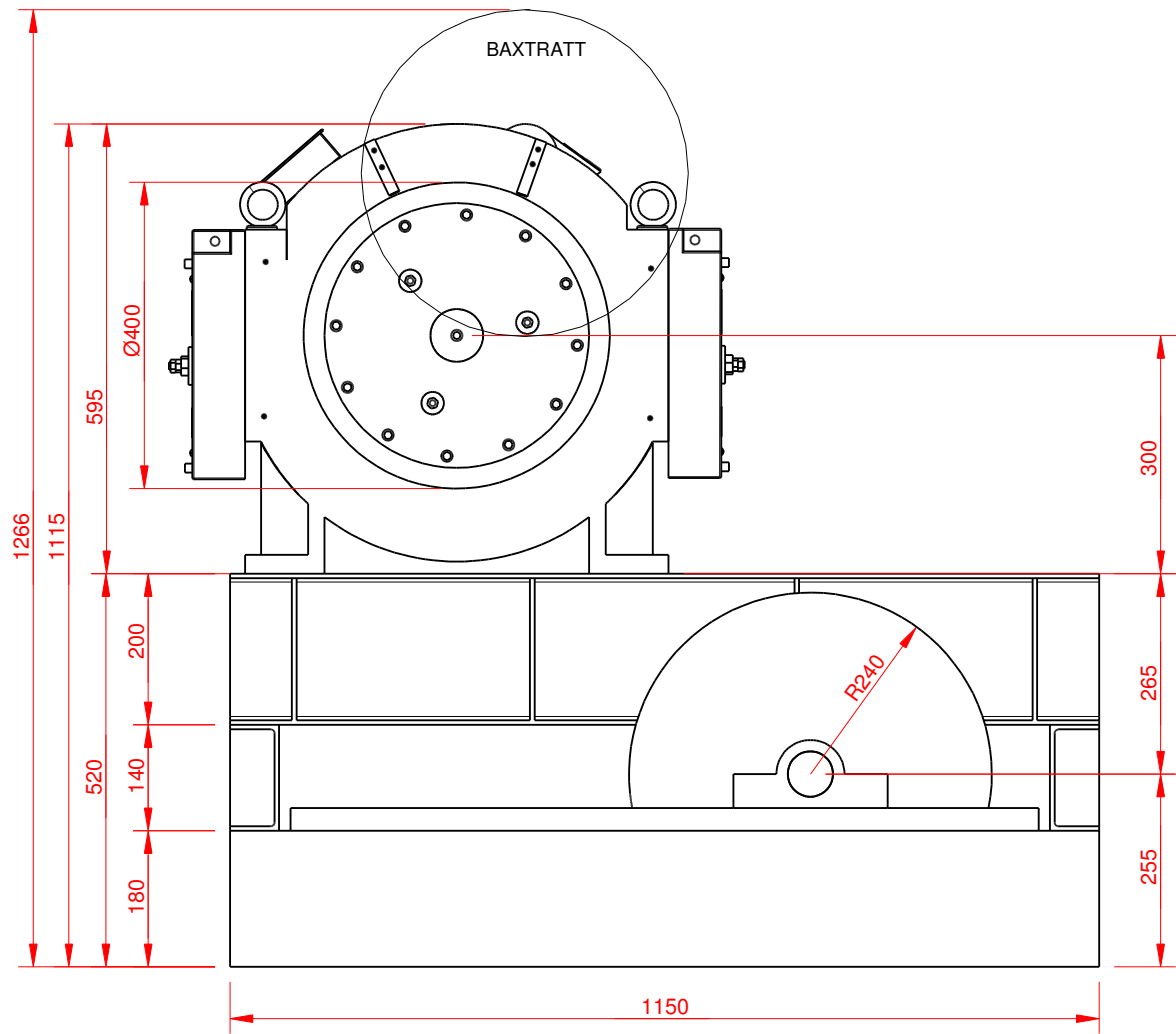
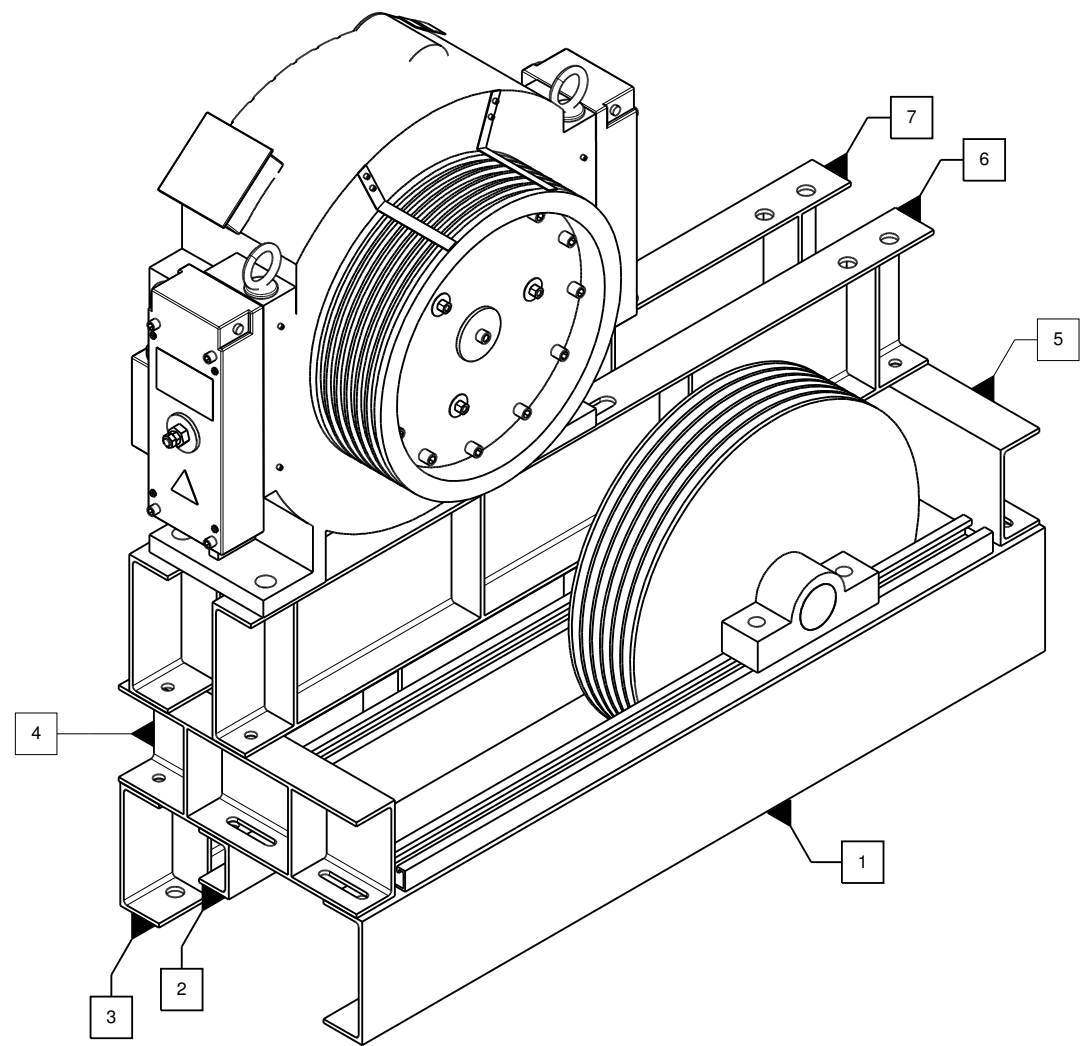



A  
B  
C  
D  
E  
F

A  
B  
C  
D  
E  
F



Itemref	Quantity	Material:	Article No./Reference T 09-2005,2		
Drawn by T.J	Checked by	Approved by - date	File name	Date 2017-10-24	Scale 1:8
			Fundament 103-08/ MOTOR 103-08/ 480 drivskiva		
			DWN NO.	Edition 3	Sheet 1/1